



We are back in the DH game with a vengeance and quite possibly one of the best looking bikes we have ever designed. The TR11 has stacked up 3 World Cup pro podium wins underneath Tahnee Seagrave and proven itself as one of the top downhill machines on the market. The all carbon chassis is light and stiff. The TR11 is extremely playful for the days you want to switch it up from DH race track to bike park and take to the air. We designed the TR11 so you can take it up a notch and push it one more further.



**FULL CARBON FRONT/REAR TRIANGLE**



**12X157 REAR AXLE SPACING**



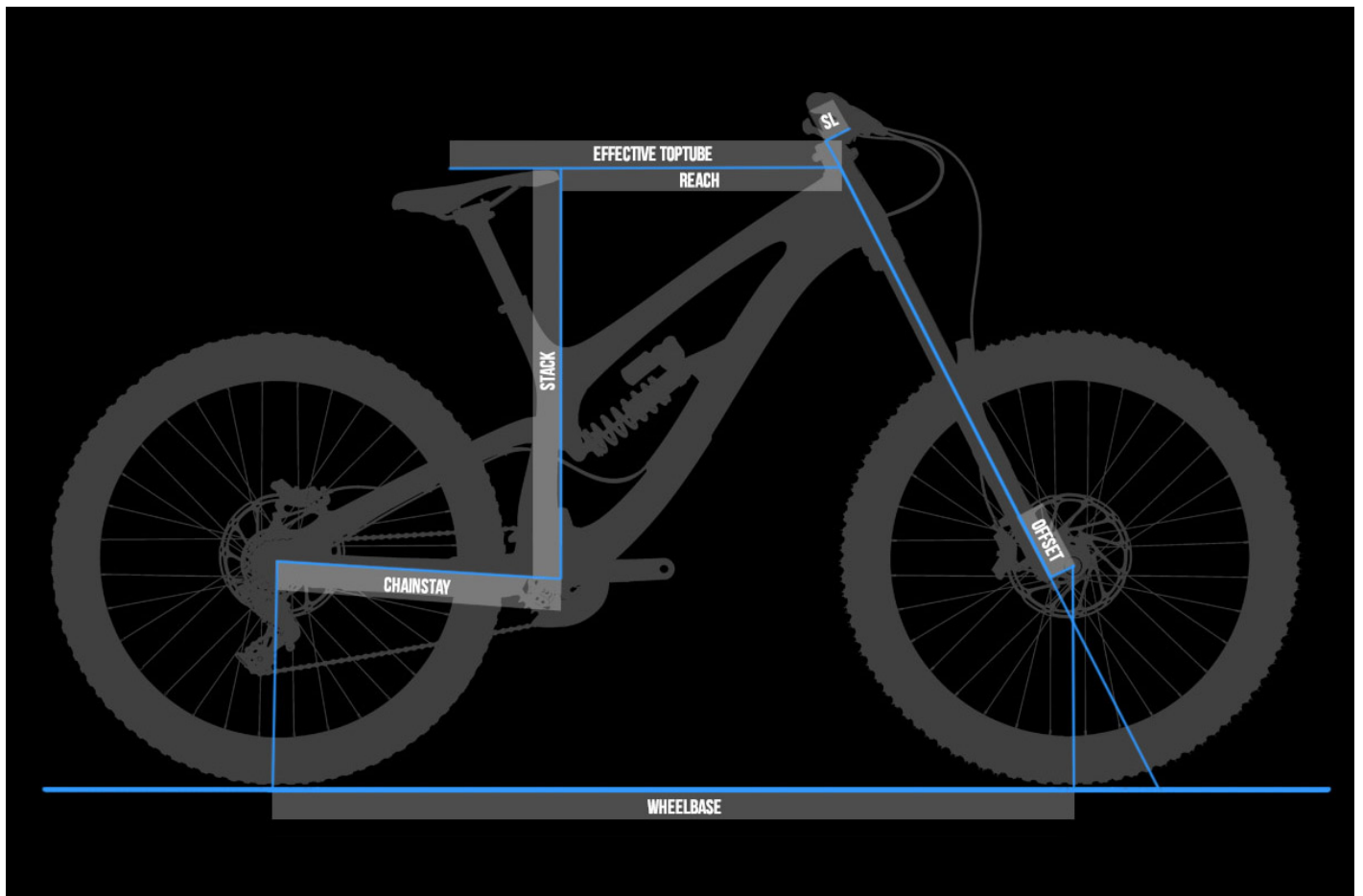
**EXTERNAL CABLE ROUTING**



**MOLDED RUBBER FRAME PROTECTION**







# GEOMETRY

|                     | SM   | MD   | LG   | XL   |
|---------------------|------|------|------|------|
| REACH               | 413  | 433  | 453  | 473  |
| STACK               | 612  | 616  | 621  | 625  |
| EFFECTIVE TT LENGTH | 571  | 594  | 616  | 638  |
| SEAT TUBE LENGTH    | 420  | 420  | 430  | 430  |
| EFFECTIVE ST ANGLE  | 76.0 | 76.0 | 76.0 | 76.0 |
| HEAD TUBE LENGTH    | 115  | 120  | 125  | 130  |
| HEAD TUBE ANGLE     | 63.0 | 63.0 | 63.0 | 63.0 |

|                     |      |      |      |      |
|---------------------|------|------|------|------|
| CHAINSTAY LENGTH    | 435  | 435  | 435  | 435  |
| WHEELBASE           | 1212 | 1234 | 1257 | 1279 |
| BOTTOM BRACKET DROP | 11   | 11   | 11   | 11   |
| ESTIMATED BB HEIGHT | 344  | 344  | 344  | 344  |
| STAND OVER HEIGHT   | 688  | 688  | 688  | 688  |
| FORK OFFSET         | 52   | 52   | 52   | 52   |

[CHECK OUT OUR SIZING GUIDE](#)



## ***BUILD THE TR11***

SPEC:  X01  GX  FRAME ONLY

COLOR:  TR BLUE  BLACK POWDER

PRICE: \$7,299

[FIND A DEALER](#) [BUY ON OUR STORE](#)

### **X01 COMPLETE**

### **GX COMPLETE**

PRICE

\$7299 USD

\$5299 USD

COLOR

TR Blue, Black Powder

TR Blue, Black Powder

REAR SHOCK

Fox DHX2 Factory

Fox DHX2 Factory



|                   |  |   |
|-------------------|--|---|
| <b>FORK</b>       | Fox 40 Float RC2 Performance Elite 203mm           | RockShox Boxxer RC 200mm                          |
| <b>HEADSET</b>    | Cane Creek 40 Series                               | FSA No.57E  |
| <b>STEM</b>       | RaceFace Atlas DM                                  | RaceFace Chester DM                               |
| <b>BAR</b>        | RaceFace Atlas 35 (800mm x 35mm)                   | RaceFace Chester 35 (780mm x 35mm)                |
| <b>GRIPS</b>      | ODI Elite Flow                                     | Velo Single Clamp                                 |
| <b>SADDLE</b>     | ANVL Sculpt Cromo                                  | ANVL Sculpt Cromo                                 |
| <b>SEATPOST</b>   | Thomson Elite                                      | JD SP66   |
| <b>BRAKES</b>     | SRAM Code RSC                                      | SRAM Code R                                       |
| <b>ROTORS</b>     | SRAM Centerline (203/200mm)                        | SRAM Centerline (200mm)                           |
| <b>SHIFTER</b>    | SRAM X01 Eagle                                     | SRAM GX Eagle                                     |
| <b>DERAILLEUR</b> | SRAM X01 DH  | SRAM GX DH  |
| <b>CASSETTE</b>   | E*Thirteen 7sp Integrated (9-21t)                  | PG 720 (11-25t)                                   |
| <b>CHAIN</b>      | SRAM PC X1   | SRAM PC 1110                                      |
| <b>CRANK</b>      | RaceFace SixC (32t, 165mm)                         | RaceFace Atlas (36t, 165mm)                       |
| <b>CHAINGUIDE</b> | E*Thirteen LG1+ Top Guide w/ Bash                  | E*Thirteen LG1 Top Guide w/ Bash                  |
| <b>RIMS</b>       | E*Thirteen LG1+                                    | E*Thirteen LG1                                    |
| <b>HUBS</b>       | E*Thirteen LG1+                                    | Joytech DH61SB & DH82SB/fo                        |
| <b>TIRES</b>      | Maxxis Minion DHF 2.5 / DHR II 2.4 3C Maxx Grip DH | Maxxis Minion DHF 2.5 / DHR II 2.4 Super Tacky DH |
| <b>FRAMESET</b>   |  |   |
| <b>PRICE</b>      | \$3199 USD   |   |
| <b>COLOR</b>      | TR Blue, Black Powder                              |   |
| <b>REAR SHOCK</b> | Fox DHX2 Factory                                   |   |

# FRAME & TECH INFO

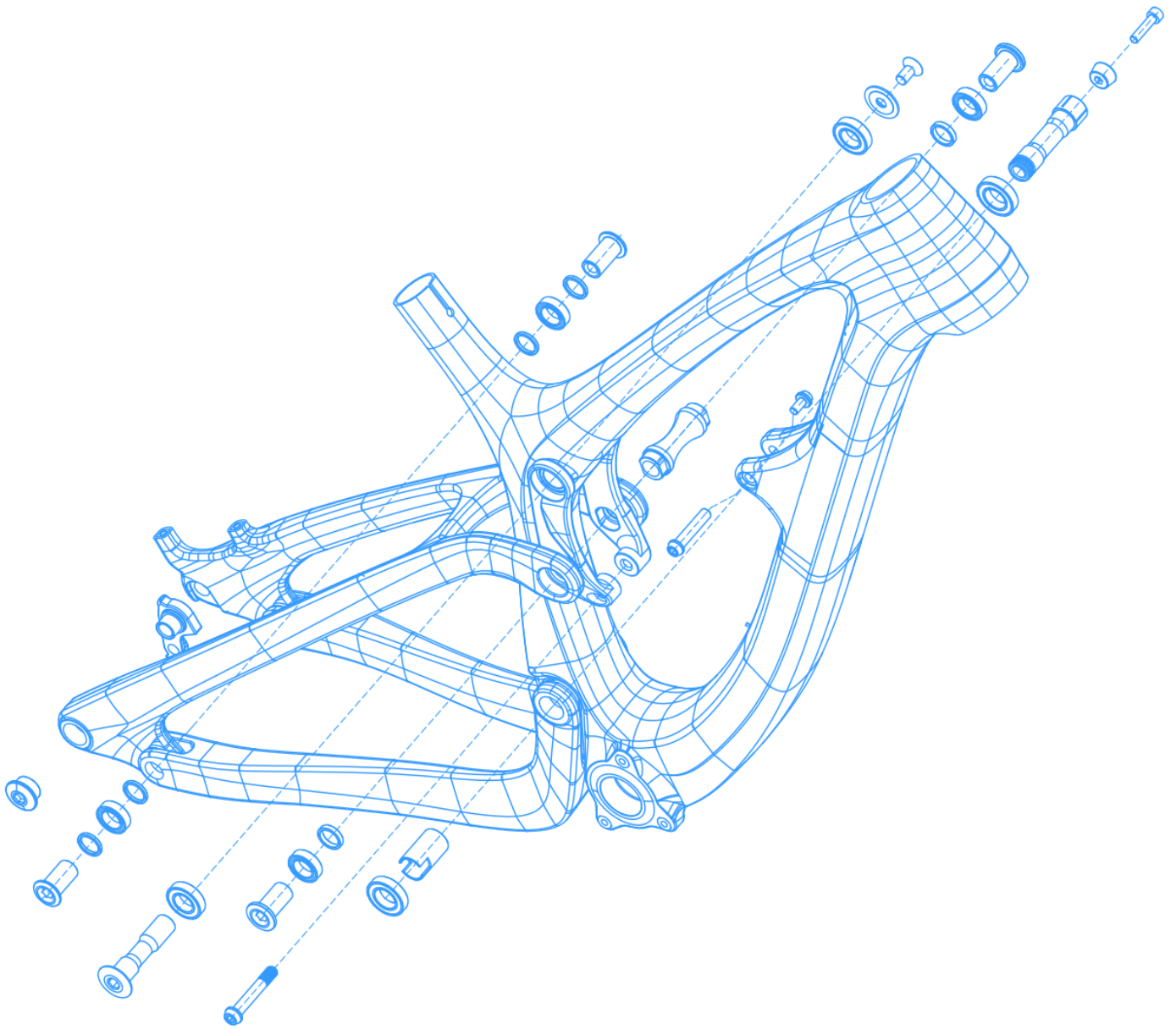
## DOWNLOAD FRAME EXPLODED VIEW

FORK AXLE TO CROWN 581-586mm

FORK OFFSET 48-52mm

REAR SHOCK SIZE 222mm x 70mm

|                            |  |
|----------------------------|--|
| REAR SHOCK HARDWARE        | 21.8mm x 8mm Top & Bottom                        |
| HEADSET                    | 44mm Zero Stack (Top) / 56mm Zero Stack (Bottom) |
| BOTTOM BRACKET             | 83mm BSA Threaded                                |
| REAR BRAKE                 | 160mm Post Mount                                 |
| REAR AXLE                  | Syntace X12 157                                  |
| FRONT DERAILLEUR           | No Support                                       |
| ISCG TABS                  | ISCG05   |
| SEATPOST DIAMETER          | 31.6mm   |
| MAXIMUM SEATPOST INSERTION | 170mm  |
| SEAT CLAMP                 | 37mm   |
| MAXIMUM CHAINRING          | 38t  |
| MAXIMUM TIRE               | 275 x 2.5  |
| SAG SETUP                  | 18-23mm  |
| WARRANTY                   | <b>3 YEAR WE GOT YOUR BACK WARRANTY</b>          |



RIDER: TUNEEZ SCARABE | PHOTO: MOONHEAD MEDIA

RIDER: TAHINEE SEAGRAVE | PHOTO: MOONHEAD MEDIA





YOU HAVE REACHED THE BOTTOM OF TRANSITIONBIKES.COM. IF YOU GET BORED DOWN HERE, [CLICK HERE](#) AND WE CAN TAKE YOU BACK TO THE TOP.