

# ***RELAY***

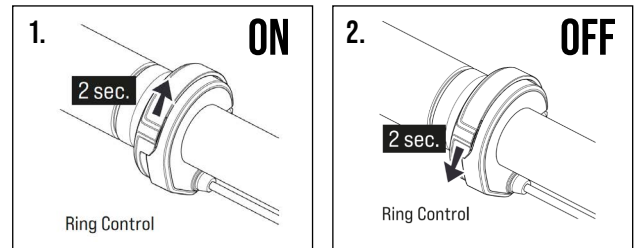
---

## **QUICK START GUIDE: Charging and Controller Commands**

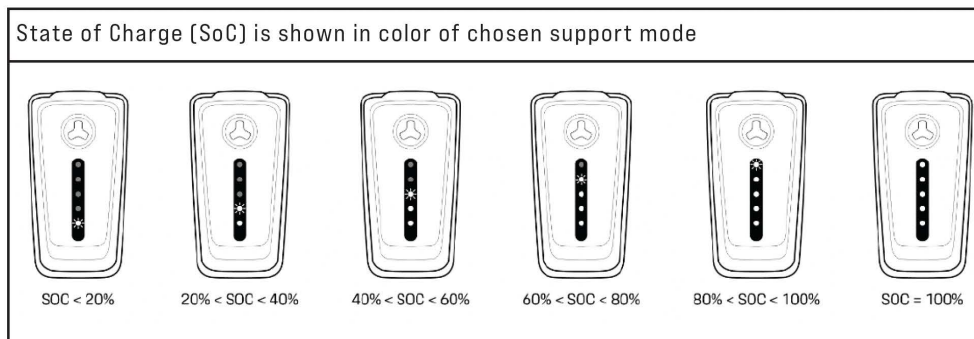


## Powering the System ON and OFF

1. To turn on your bike, press and hold the Ring-Controller in the up position for 2 secs.
2. To turn off your bike, press and hold the Ring-Controller in the down position for 2 secs.



**Tip:** Once the system has been turned on, the lights on the LED hub will illuminate to indicate the charge level.  
 1 LED = 0-20%, 2 LEDs = 20-40%, 3 LEDs = 40-60%, 4 LEDs = 60-80%, 5 LEDs = 80-100%

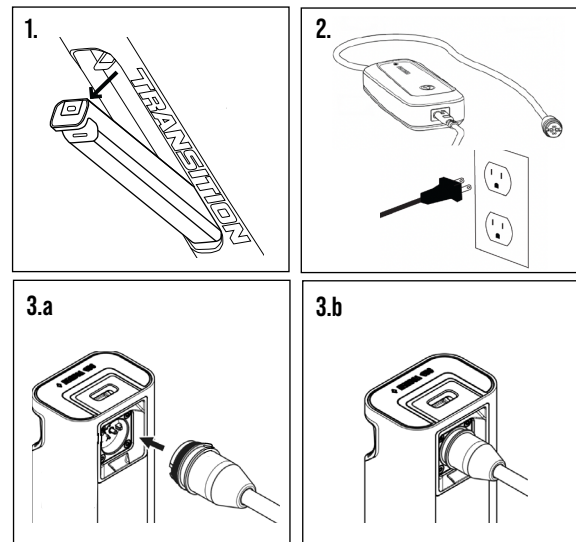


## Charging Your Battery

Note: The battery does NOT come fully charged and must be completely charged before riding. The Relay battery must be removed from the bike in order to charge it.

1. Remove the battery from the bike.
2. Plug the battery charger cord into a standard outlet.
3. Plug the power cable into the port on the back side of the battery.

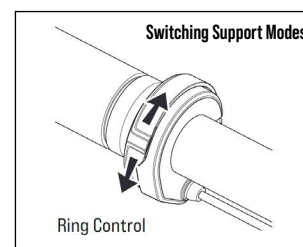
The LED on the charger will light up RED when the battery is initially plugged in. When the battery is fully charged the LED will change to green to indicate the battery is fully charged.



## Switching Support Modes

- To increase the support level, push the ring controller up once.
- To decrease the support level, push the ring controller down once.

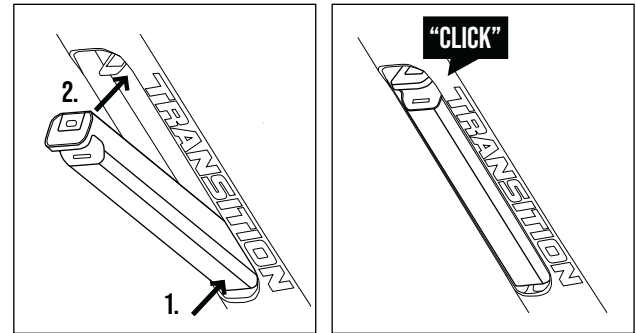
**Tip:** The LED Hub will indicate the current support level.



## Installing Your Battery

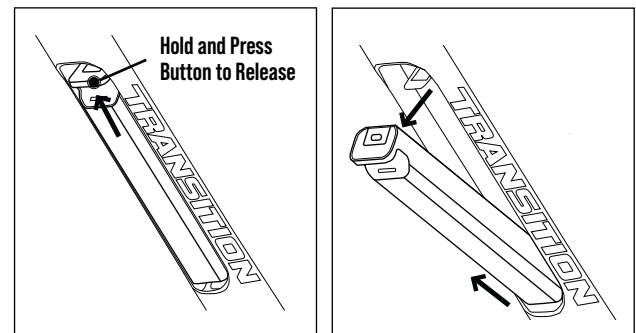
1. With the handle of the battery facing outwards, insert the bottom of the battery into the frame of the bike.
2. Swing the top of the battery into the bike, lining up the metal plate with the slot on the back side of the battery.
3. Press the battery into the frame until you hear an audible "Click."

**Tip:** With your hand, move the battery back and forth in the frame to make sure that it is secure. If you did not hear an audible click, remove the battery and try again.



## Removing Your Battery

1. Remove the battery door by turning the dial to the horizontal position and sliding the door up and forward.
2. Hold on to the battery with one hand.
3. Using the other hand press the rubber push button in the handle, as much as you can, to release the battery.
4. Keep holding the button while gently pulling down on the battery.
5. Remove the battery by swinging the top portion down and forward.



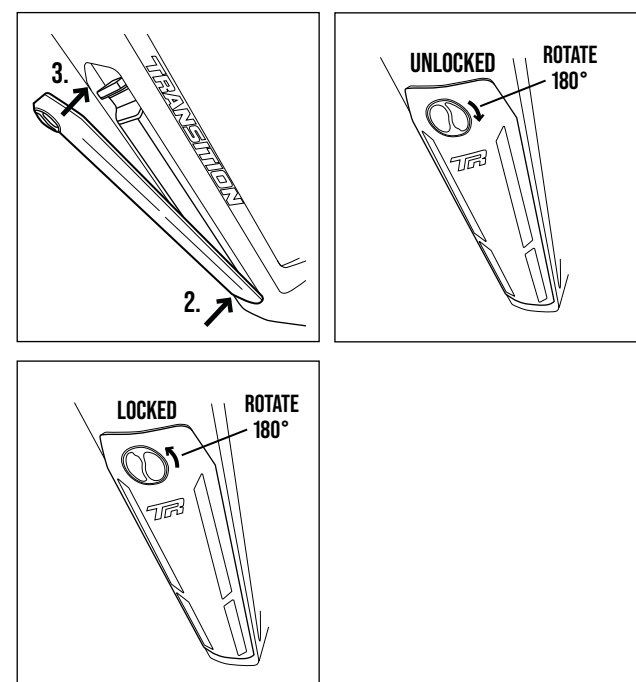
## Installing Your Battery Door

Before installing the battery door, ensure the battery is securely installed in the bike.

1. Make sure the door dial is in the horizontal position and positioned towards the front of the bike.
2. Slide the bottom of the door into the bike so that the bottom tab is secure in the frame.
3. Swing the top of the door up against the frame.
4. While holding the door against the frame, turn the door dial either clockwise or counterclockwise into the vertical position.

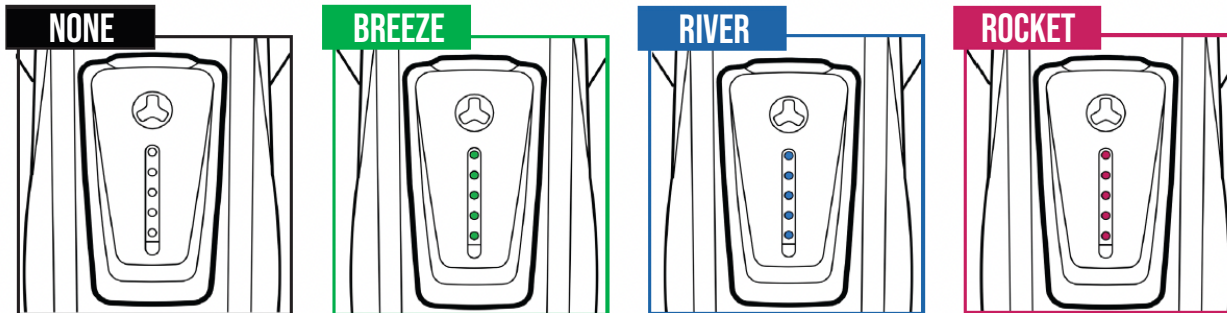
**Tip:**

- Make sure the battery door is secure by lightly pulling down on the door. If the door is not secure, attempt again or rotate the dial 180 degrees to ensure that the internal stopper is correctly lined up.
- Some doors were misprinted and the circular indent marks may not line up. Rotate the dial 180 degrees to the vertical position and ensure the door is secure before riding.



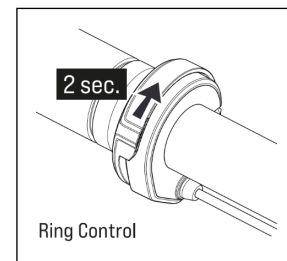
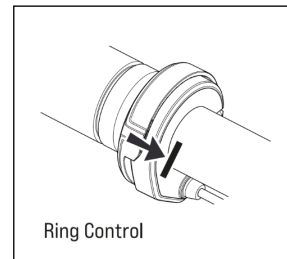
## Riding Support Modes

The Relay comes with 4 different riding-support modes in addition to Boost and Walk Assist modes. The Ring-Controller on the handlebar can be used to toggle between modes. The current mode will be indicated by the LED Hub. The Hub will change color based on the level of support. No Support (white) is indicated by white LEDs. Breeze (green) will be the least amount of support and will give you the longest battery life. River (blue) will be a moderate amount of power. Rocket (magenta) will give you the most amount of support but leaving it in this mode will use the most battery life.



## Alternate Support Modes

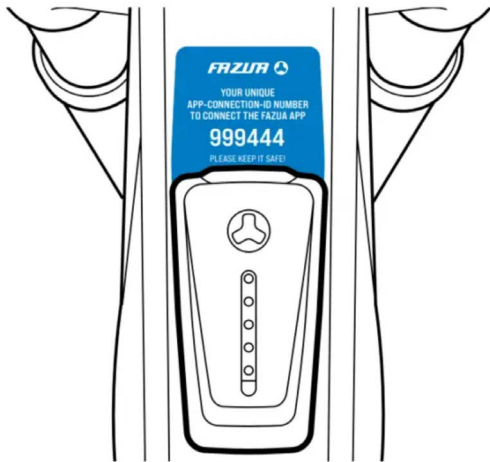
- To engage "**Walk Mode**," cycle the support mode to white/no support. Once in this mode, press and hold the ring controller inwards toward the center of the bike while walking with the bike. The LED Hub lights will cycle from top to bottom to indicate that you are in walk mode.
- To disengage, simply release the ring controller.
- To use "**Boost Mode**," the bike must be in Breeze, River, or Rocket Mode. Boost Mode will give you the maximum amount of power regardless of the current mode for a short period of time.
- To engage, press and hold the ring controller in the up position, until the lights on the LED Hub start to cycle.
- To disengage, either cycle support to No Support or press and hold the ring controller in the up position until the LED Hub lights stop cycling.



## App Connection

Each Relay will come with its own specific app-connection ID #, which will be listed on both the invoice and on the tag attached to the LED Hub. You can use this number to connect your Relay to the Fazua app, in order to download new profiles and change your support mode settings.

For complete instructions on how to connect to the Fazua Rider App, check out their website:  
<https://fazua.com/en/support/help-center/bluetooth-connections/fazua-app/>



## Updating Software

New firmware is periodically available and can be applied to your bike using the Fazua Toolbox software. To update firmware, go to Fazua's website using the below link and follow the directions to download the toolbox and update your software.

<https://fazua.com/en/support/help-center/toolbox-software/overview//>