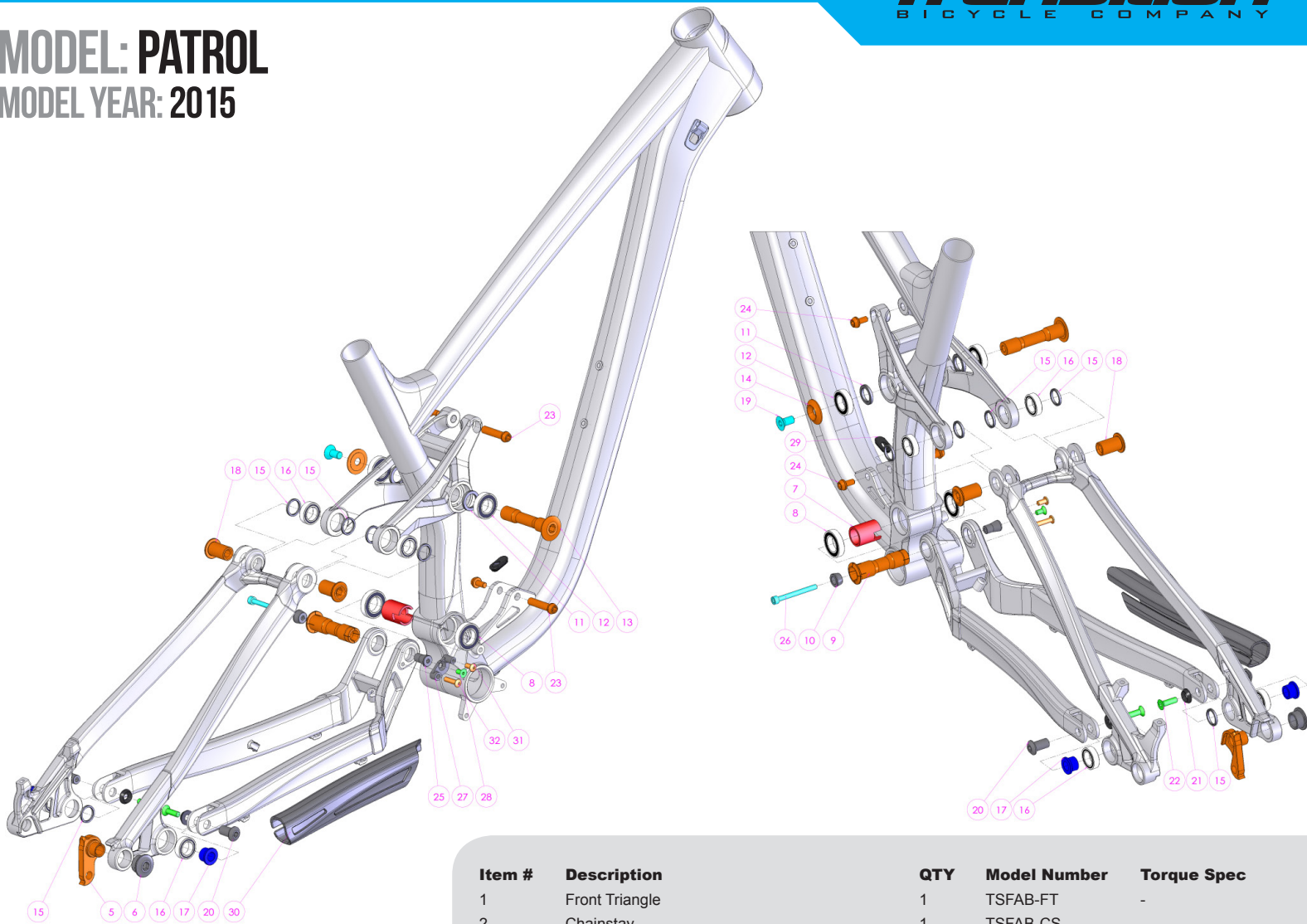


**MODEL: PATROL**  
**MODEL YEAR: 2015**



Item #	Description	QTY	Model Number	Torque Spec
1	Front Triangle	1	TSFAB-FT	-
2	Chainstay	1	TSFAB-CS	-
3	Seatstay	1	TSFAB-SS	-
4	Rocker Link	1	TSFAB-LK	-
5	Derailleur Hanger	1	TSFAB-HG	-
6	Derailleur Hanger Retention Bolt	1	C7A-ANT	19nm
7	Main Pivot Spacer (17mm x 28mm)	1	TSFA-BSP	-
8	Bearing (30mm x 17mm x 7mm)	2	6903-2RS	-
9	Main Pivot Axle (17mm x 66.5mm)	1	TSFA-MAX	19nm
10	Main Pivot Taper Nut	1	TSFA-MNT	-
11	Bearing Spacer (22mm x 15mm x 3mm)	2	TEDC-BWS	-
12	Bearing (28mm x 15mm x 7mm)	2	6902-2RS	-
13	Rocker Pivot Axle (17mm x 76mm)	1	TSFA-LAX	-
14	Rocker Pivot Axle Cap	1	TSFA-LNT	-
15	Bearing Spacer (19mm x 15mm x 2.5mm)	6	TSFA-LWS	-
16	Bearing (24mm x 15mm x 7mm)	4	3802-2RS	-
17	Chainstay Pivot Reducer	2	TSFA-EAX	-
18	Seatstay Pivot Axle (15mm x 22.5mm)	2	TSFA-SAX	19nm
19	Rocker Pivot Screw	1	M8 x 16L-M	10nm
20	Chainstay Pivot Axle (10mm x 22.5mm)	2	TSFA-CAX	-
21	Chainstay Pivot Axle Cap	2	C65A-RCP	-
22	Chainstay Pivot Screw	2	M6 x 20L-M	7nm
23	Shock Bolt	2	TCVC-BT-34L-S	10nm
24	Shock Screw	2	TCVC-M6-S	10nm
25	Main Pivot Taper Nut (Threaded)	1	TSFA-MNT-R	-
26	Main Pivot Screw	1	M5 x 50L-P	7nm
27	Front Derailleur Mounting Bracket	1	TSFA-FDM	-
28	Front Derailleur Mounting Bracket Screw	1	M5 x 10L-M	3nm
29	Cable Grommet	1	TCBC-CGR	-
30	Chainstay Protector	1	TSFA-CPT	-
31	Front Derailleur Attachment Screw	1	M5 x 10L-R-S	3nm
32	Front Derailleur Attachment Screw	1	M5 x 20L-R-S	3nm